

SUN2000-100KTL-M2 Smart PV Controller



10
MPP Trackers



98.8% (@480V)
Max. Efficiency



String-level
Management



Smart I-V Curve Diagnosis
Supported



MBUS
Supported



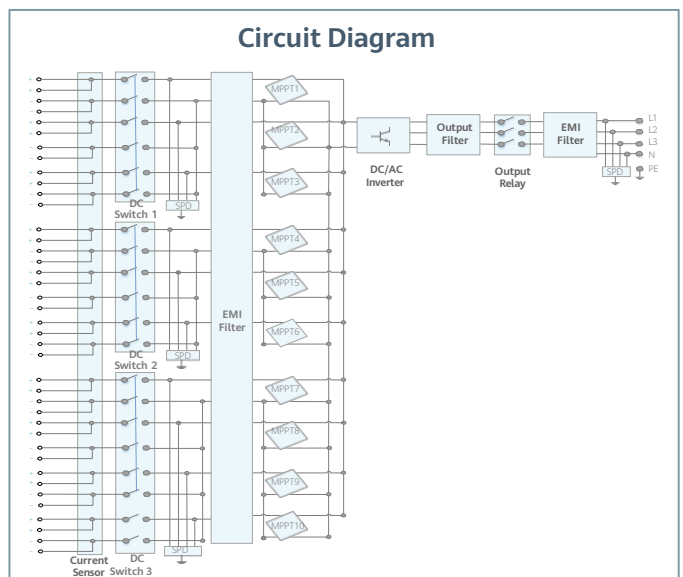
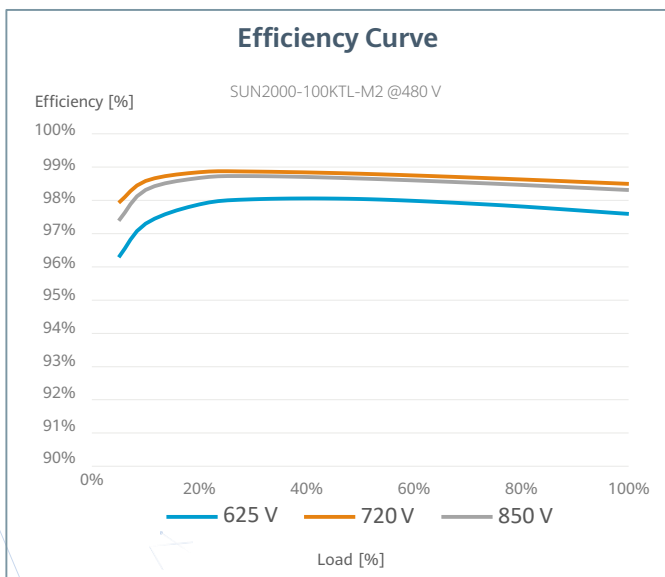
Support AFCI &
Smart String Level
Disconnecter



Surge Arresters for
DC & AC



IP66
Protection



Technical Specification

SUN2000-100KTL-M2

Efficiency

| | |
|---------------------|----------------------------|
| Max. efficiency | 98.8% @480 V, 98.6% @400 V |
| European efficiency | 98.6% @480 V, 98.4% @400 V |

Input

| | |
|---|--------------------------------|
| Max. Input Voltage ¹ | 1,100 V |
| Max. Current per MPPT | 30 A |
| Max. Short Circuit Current per MPPT | 40 A |
| Start Voltage | 200 V |
| MPPT Operating Voltage Range ² | 200 V ~ 1,000 V |
| Nominal Input Voltage | 720 V @480 Vac, 600 V @400 Vac |
| Number of MPP trackers | 10 |
| Max. input number per MPP tracker | 2 |

Output

| | |
|--------------------------------|--------------------------------|
| Nominal AC Active Power | 100,000 W |
| Max. AC Apparent Power | 110,000 VA |
| Max. AC Active Power (cosφ=1) | 110,000 W |
| Nominal Output Voltage | 480 V/ 400 V/ 380 V, 3W+(N)+PE |
| Rated AC Grid Frequency | 50 Hz / 60 Hz |
| Nominal Output Current | 120.3 A @480 V, 144.4 A @400 V |
| Max. Output Current | 133.7 A @480 V, 160.4 A @400 V |
| Adjustable Power Factor Range | 0.8 leading... 0.8 lagging |
| Max. Total Harmonic Distortion | < 3% |

Protection

| | |
|------------------------------------|---------|
| Input-side Disconnection Device | Yes |
| Anti-islanding Protection | Yes |
| AC Overcurrent Protection | Yes |
| DC Reverse-polarity Protection | Yes |
| PV-array String Fault Monitoring | Yes |
| DC Surge Arrester | Type II |
| AC Surge Arrester | Type II |
| DC Insulation Resistance Detection | Yes |
| Residual Current Monitoring Unit | Yes |
| Arc Fault Protection | Yes |
| Smart String Level Disconnecter | Yes |

Communication

| | |
|-----------------------|--|
| Display | LED indicators; WLAN adaptor + FusionSolar APP |
| RS485 | Yes |
| USB | Yes |
| Smart Dongle-4G | 4G / 3G / 2G via Smart Dongle – 4G (Optional) |
| Monitoring BUS (MBUS) | Yes (isolation transformer required) |

General Data

| | |
|------------------------------|---------------------------------------|
| Dimensions (W x H x D) | 1,035 x 700 x 365 mm |
| Weight (with mounting plate) | 93 kg |
| Operating Temperature Range | -25°C ~ 60°C |
| Cooling Method | Smart Air Cooling |
| Max. Operating Altitude | 4,000 m (13,123 ft.) |
| Relative Humidity | 0 ~ 100% |
| DC Connector | Staubli MC4 |
| AC Connector | Waterproof Connector + OT/DT Terminal |
| Protection Degree | IP66 |
| Topology | Transformerless |
| Nighttime Power Consumption | < 3.5 W |

Standard Compliance (more available upon request)

| | |
|---------------------------|---|
| Certificate | EN 62109-1/-2, IEC 62109-1/-2, EN 50530, IEC 62116, IEC 61727, IEC 60068, IEC 61683 |
| Grid Connection Standards | VDE-AR-N4105, EN 50549-1, EN 50549-2, RD 661, RD 1699, C10/11 |

^{*1} The maximum input voltage is the upper limit of the DC voltage. Any higher input DC voltage would probably damage inverter.
^{*2} Any DC input voltage beyond the operating voltage range may result in inverter improper operating.

Preliminary version. For Reference only. Any datasheet issued previously becomes invalid when the official version is released.
 The words and pictures in this release only reflect the preliminary status of the products and solutions. Because of the product development, the technical specifications from this version may change. We apologize and will provide you with the latest technical specifications for our products and solutions. For more information, please visit solar.huawei.com.